

Bobbin holder



1001

Pos.	Description
1001	Supply package holder(spindle)



Motor



Synchronization Motor



Cylinder



Precision Winding Large Chuck



Precision Winding Small Chuck



1. Big Chuck 2. Small Chuck



Roller



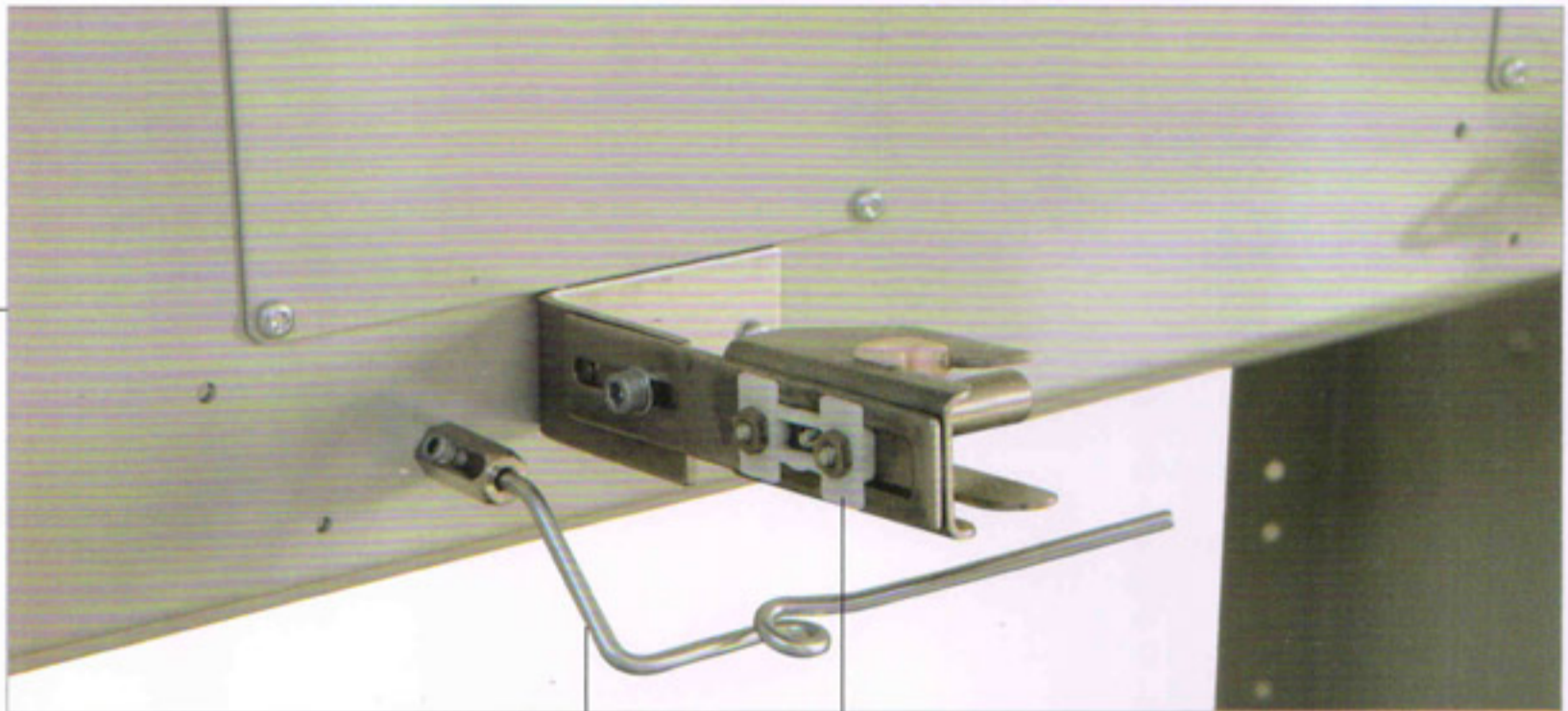
Tension Roller



Roller - Top Head

Pretension device

2001

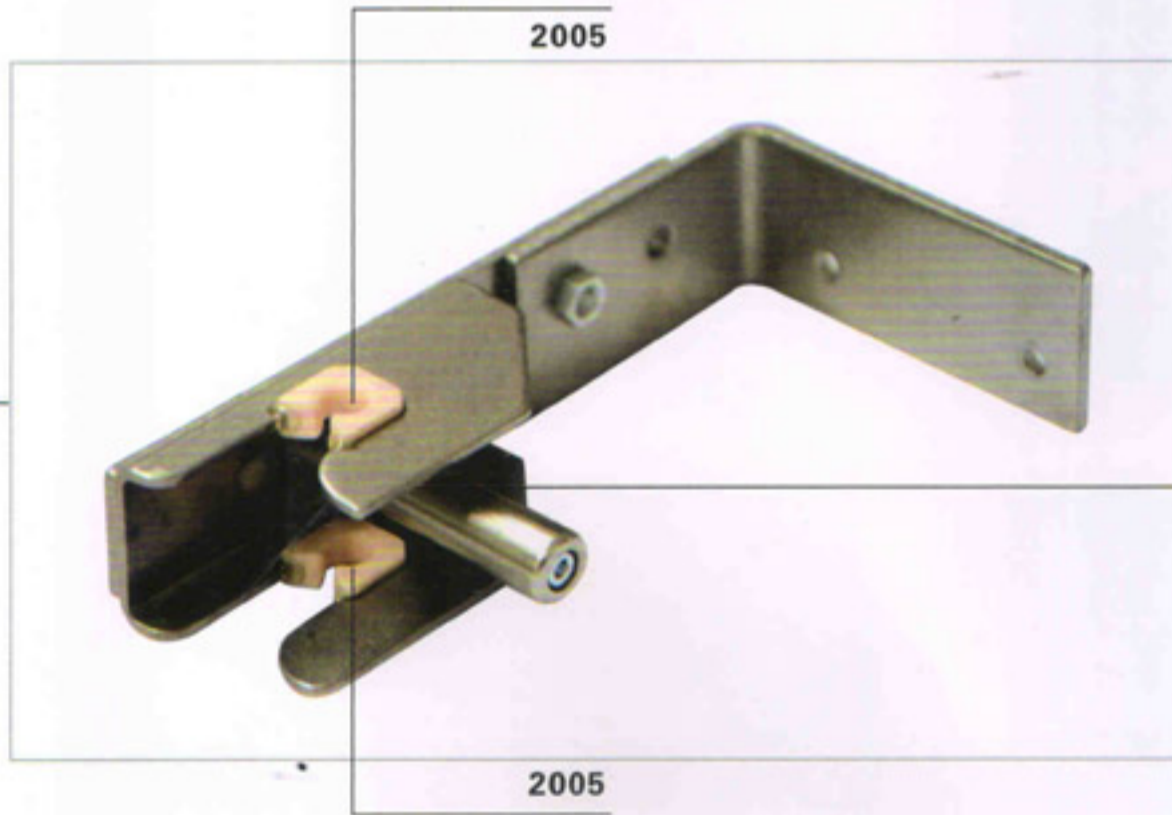


2002

2003

2005

2006

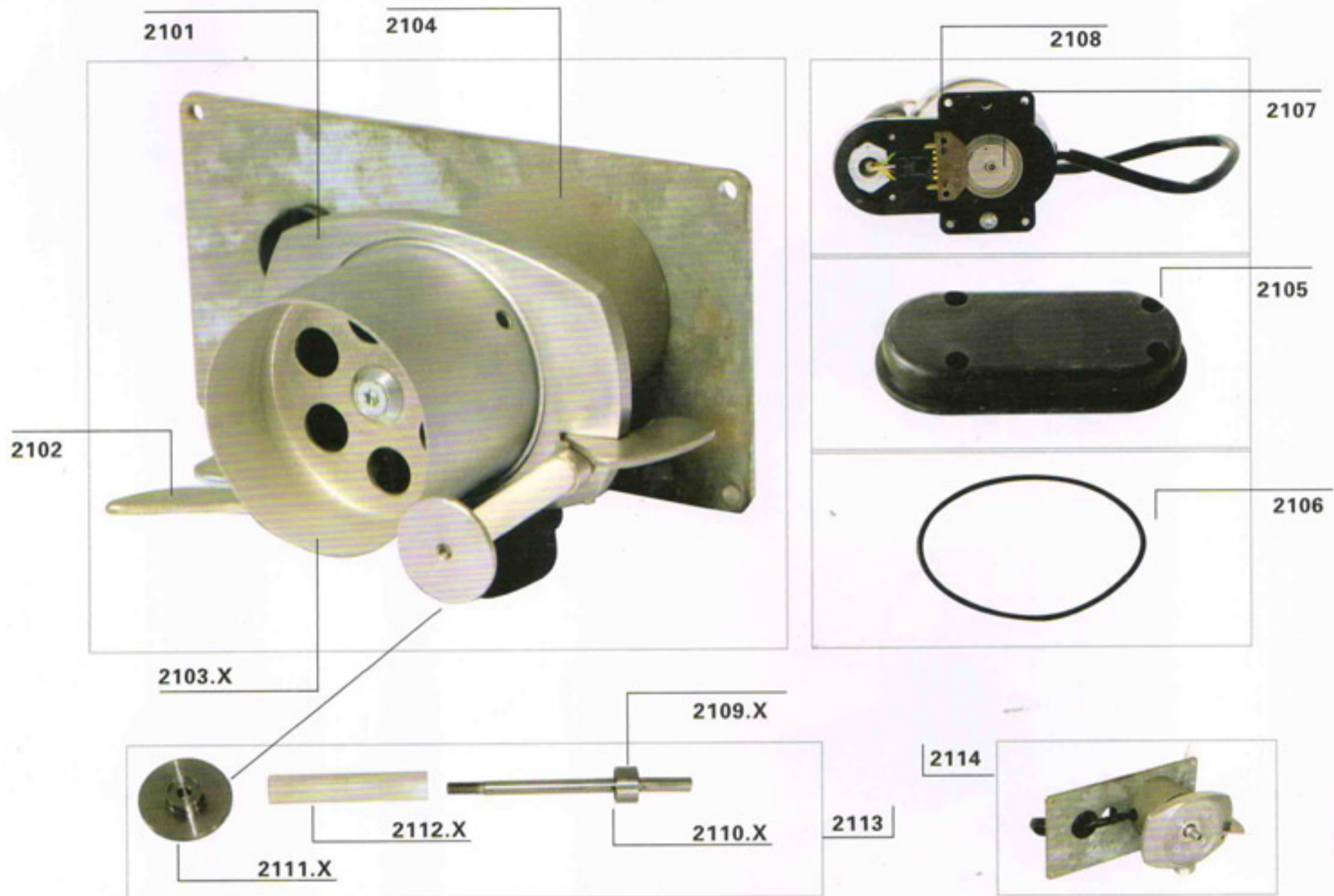


2004

2005

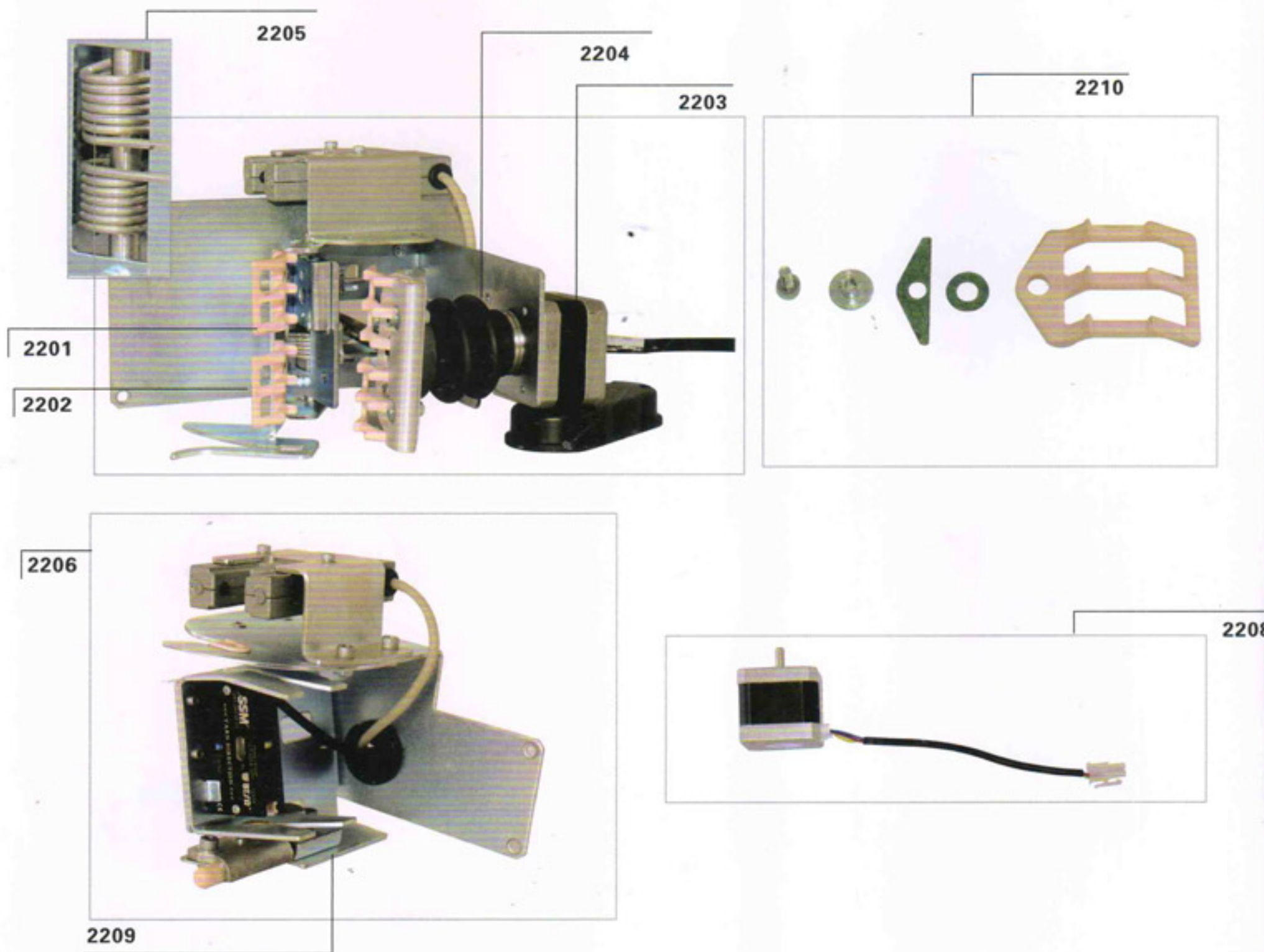
Pos.	Description
2001	Holder
2002	Pig tail
2003	Slider
2004	Ceramic guide
2005	Ceramic eyelet
2006	Pertension device cpl

Yarn delivery



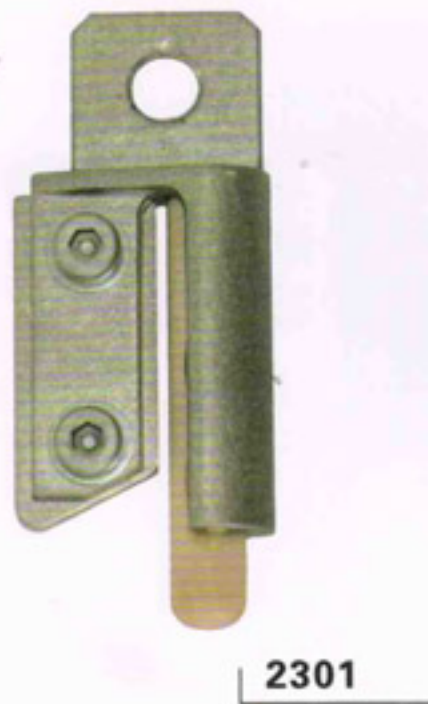
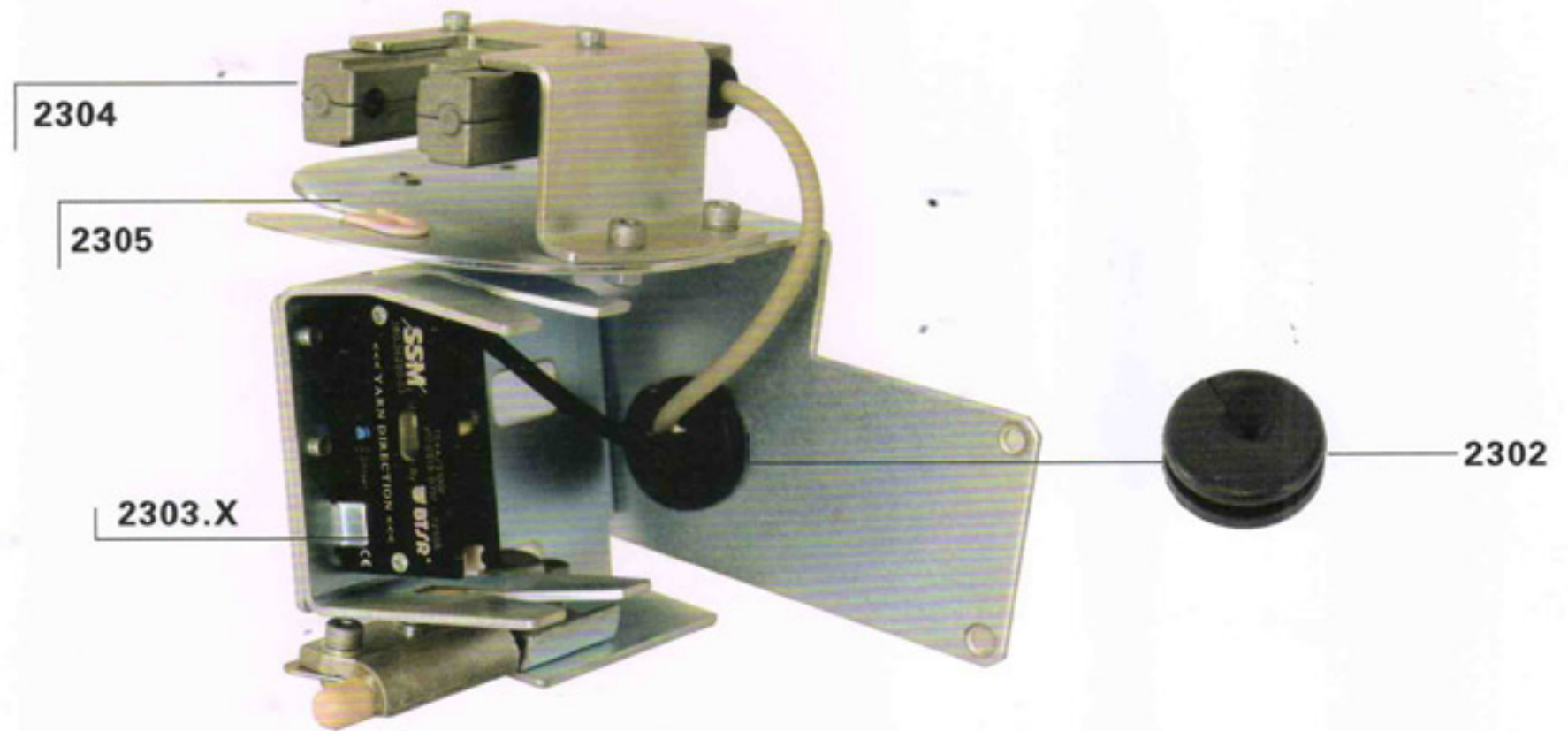
Pos.	Description
2001	Thread guide
2102	Sheet plate cpl.
2103.x	Feed roller
2104	Motor yarn delivery 70VDC
2105	Cover
2106	O-ring
2107	Encoder-disc
2108	Encoder cpl.
2109.x	Bush
2110.x	Pin
2111.x	Flange
2112.x	Ceramic
2113	Ceramic holder cpl
2114	Yarn delivery kit

Gate tension device



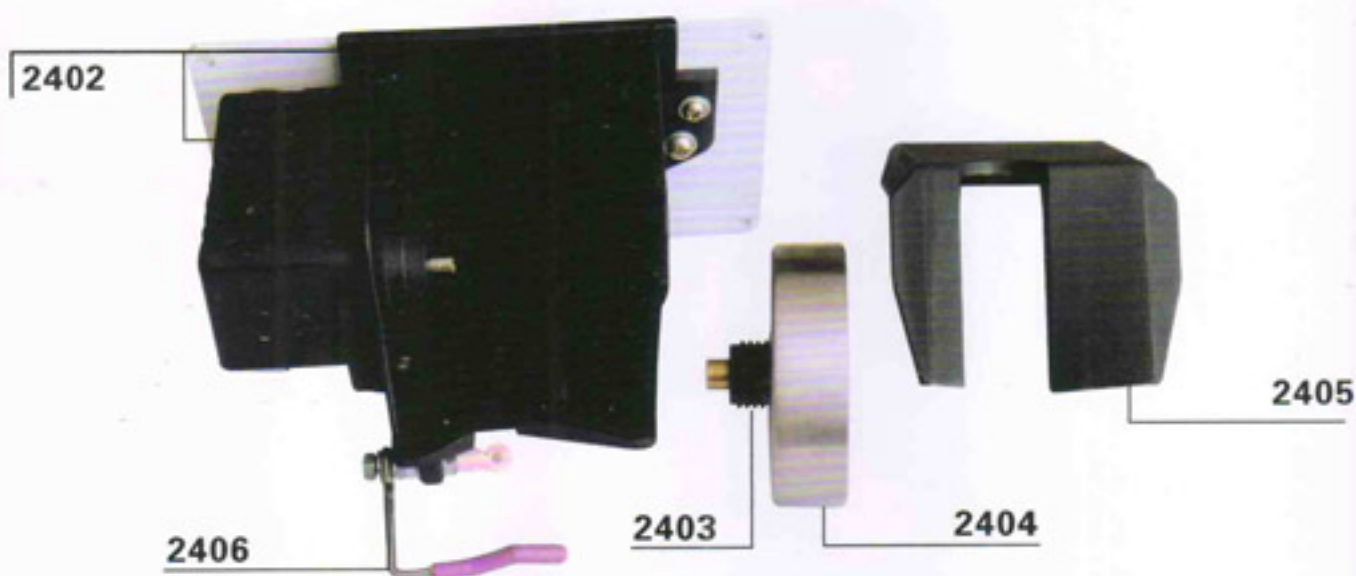
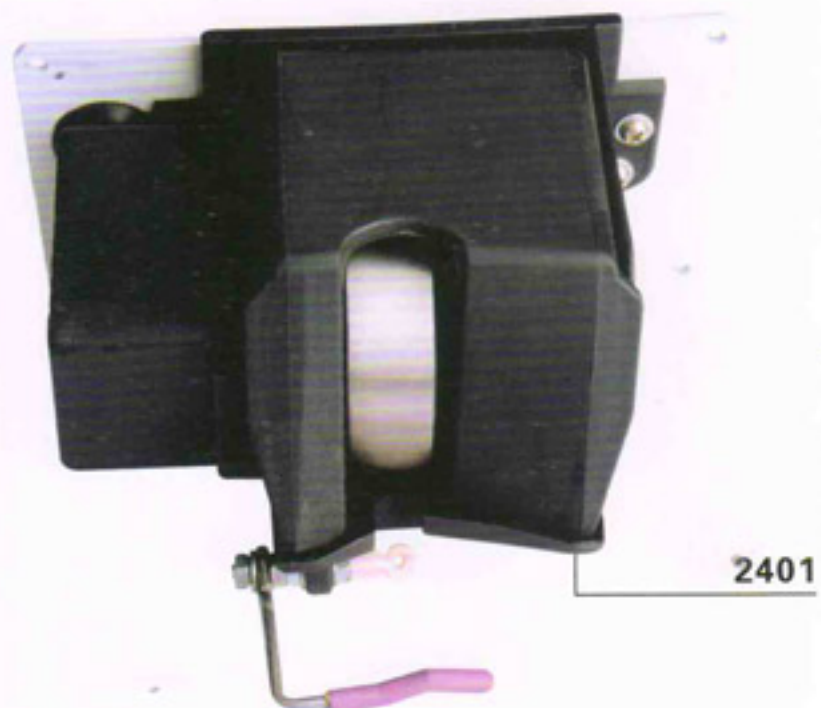
Pos.	Description
2201	Ceramic grid
2202	Ceramic eyelet
2203	Step motor type 16
2204	Rubber below
2205	Spring
2206	Grid tensioning device with weight cpl
2208	Step motor
2209	Ceramic eyelet
2210	Ceramic grid cpl

Traverse point yarn tension sensor



Pos.	Description
2301	Slub catcher cpl
2302	Rubber seal
2303.x	Yarn tension sensor
2304	Yarn sensor
2305	Ceramic eylet

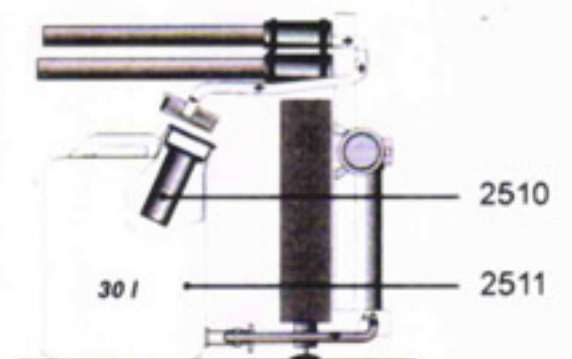
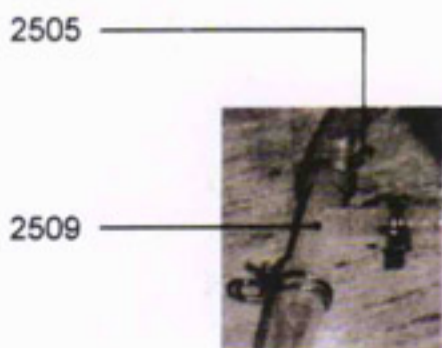
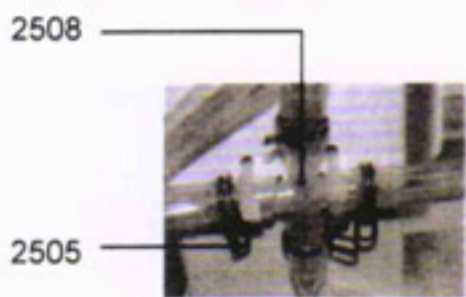
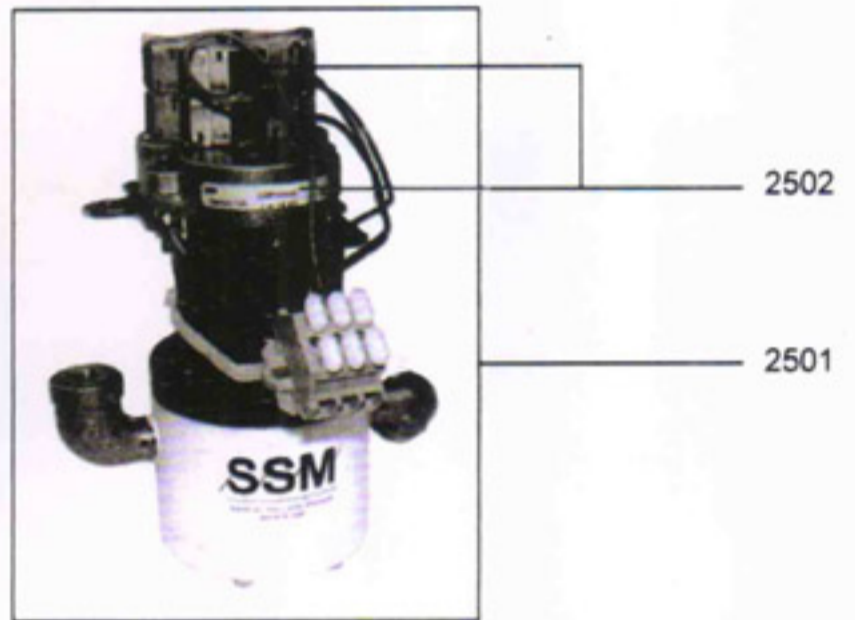
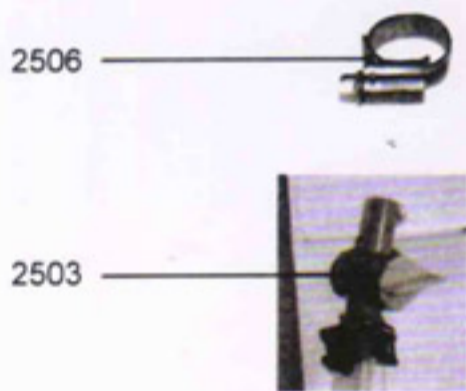
Oiling device



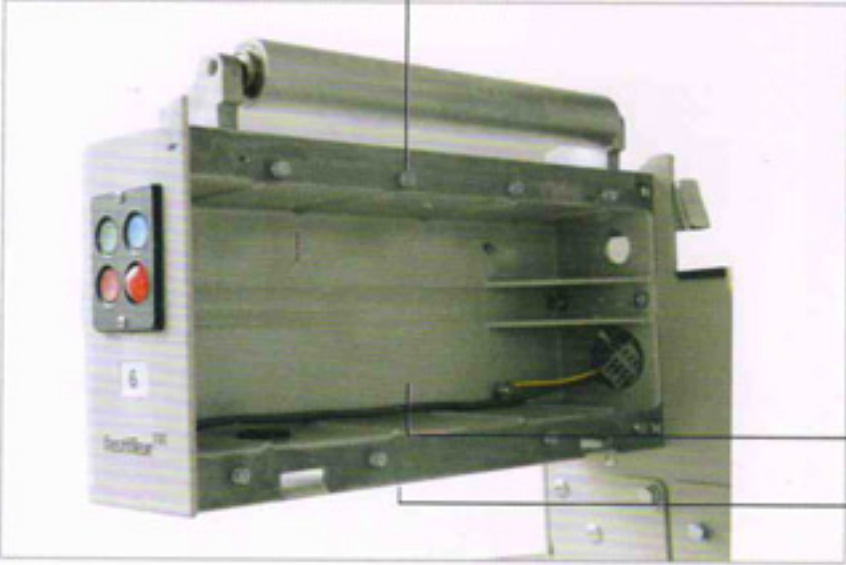
Pos.	Description
2401	Roller oiling device cpl.
2402	Oil pan incl. motor
2403	Holder, oiling ring
2404	Oiling ring
2405	Cover, oiling device
2406	Yarn guide support

Moistening device

Pos.	Description
2501	Oil pump with motor
2502	Motor incl.gear
2503	Hose tap
2504.1	Oil tube 1 field
2504.2	Oil tube start piece
2504.3	Oil tube end piece
2504.4	Oil tube intermediate piece
2505	Hose clip
2506	Hose clip
2507	Oil tube holder
2508	Cross piece
2509	T-piece
2510	Oil filter
2511	Oil canister cpl.



5002



5001

5003

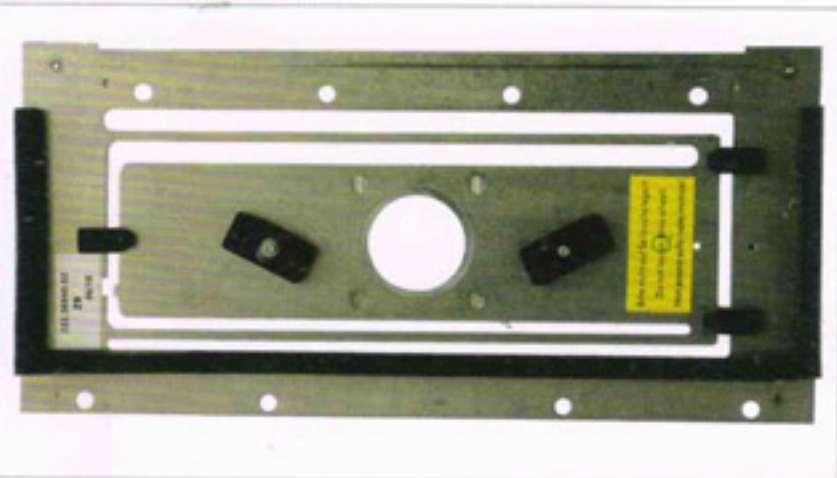


5005
5006

5004



5007



5008

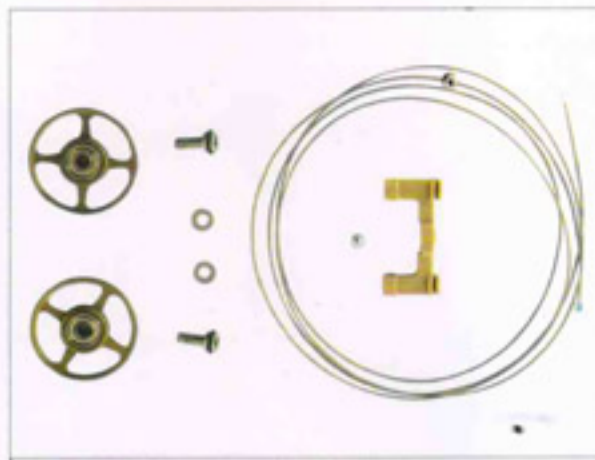


5009

Pos.	Description
5001	Laying device housing
5002	Bolt top
5003	Bolt bottom
5004	Fitting strip
5005	Thread laying device cpl.1.6mm
5006	Thread laying device cpl 2.2mm
5007	Guide
5008	Plate
5009	Cover



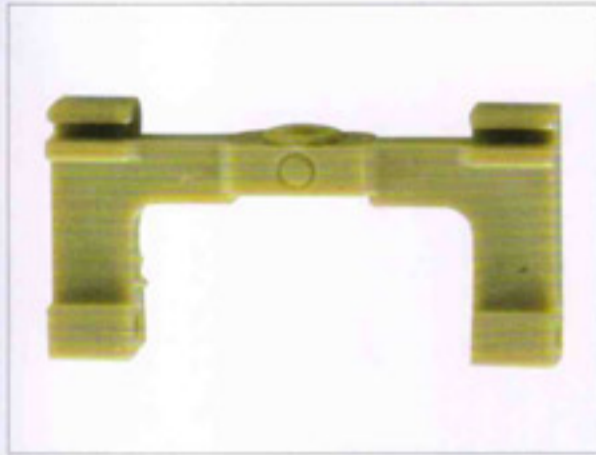
5101



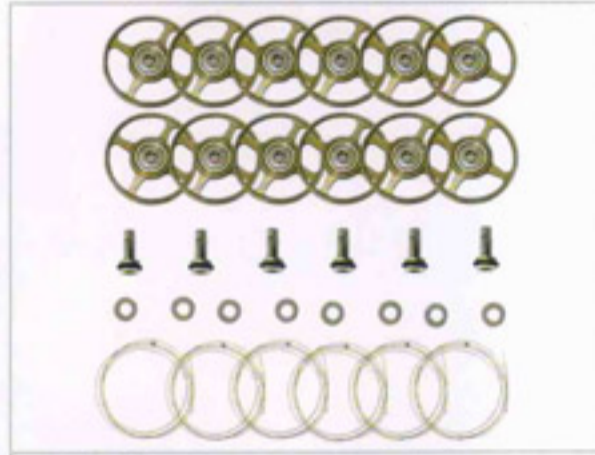
5102



5103



5104



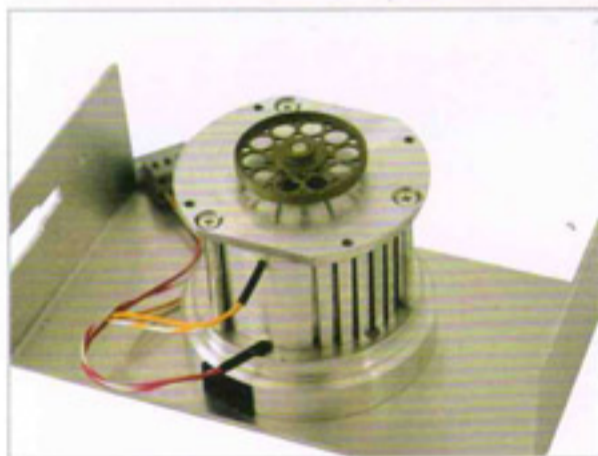
5105



5106



5107



5109



5110

Pos.	Description
5101	Pulley
5102	Wire/pulley cpl.
5103	Wire
5104	Yam guide carrier
5105	Wire/pulley (6-pack)cpl
5106	Yam guide(1.6mm)cpl
5107	Yam guide(2.2mm)cpl
5109	Servo motor cpl.
5110	Keyboard



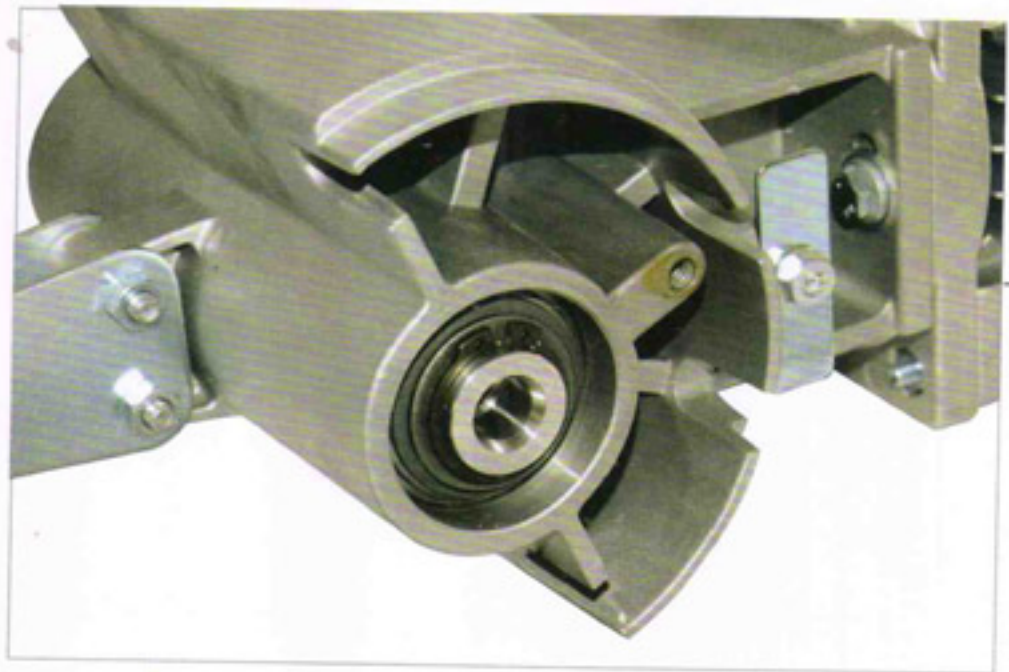
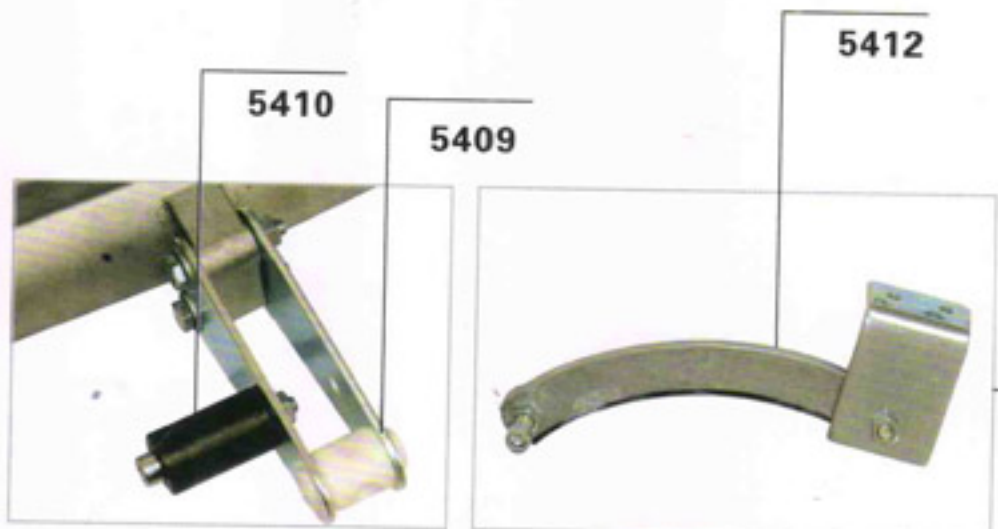
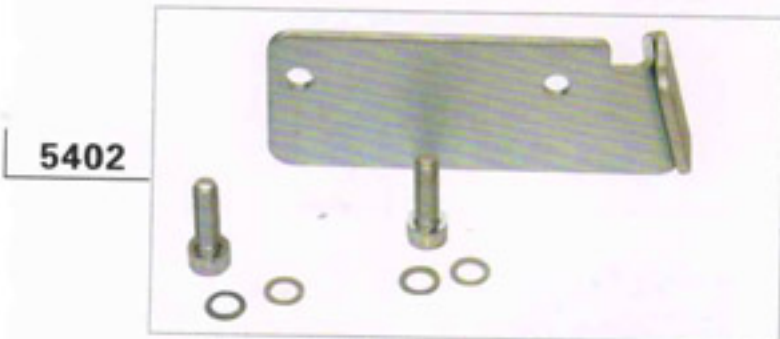
5301

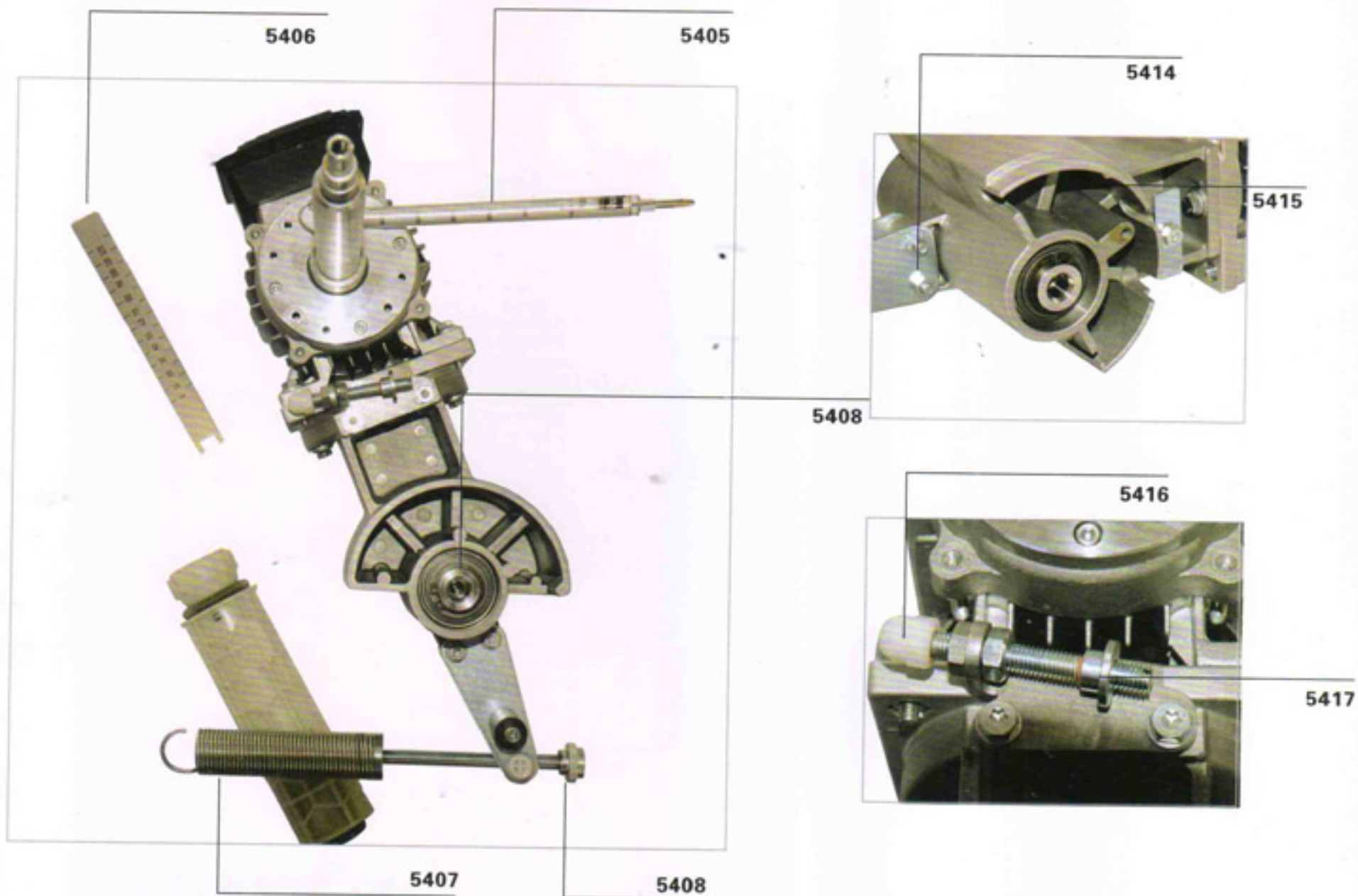
5301

5302

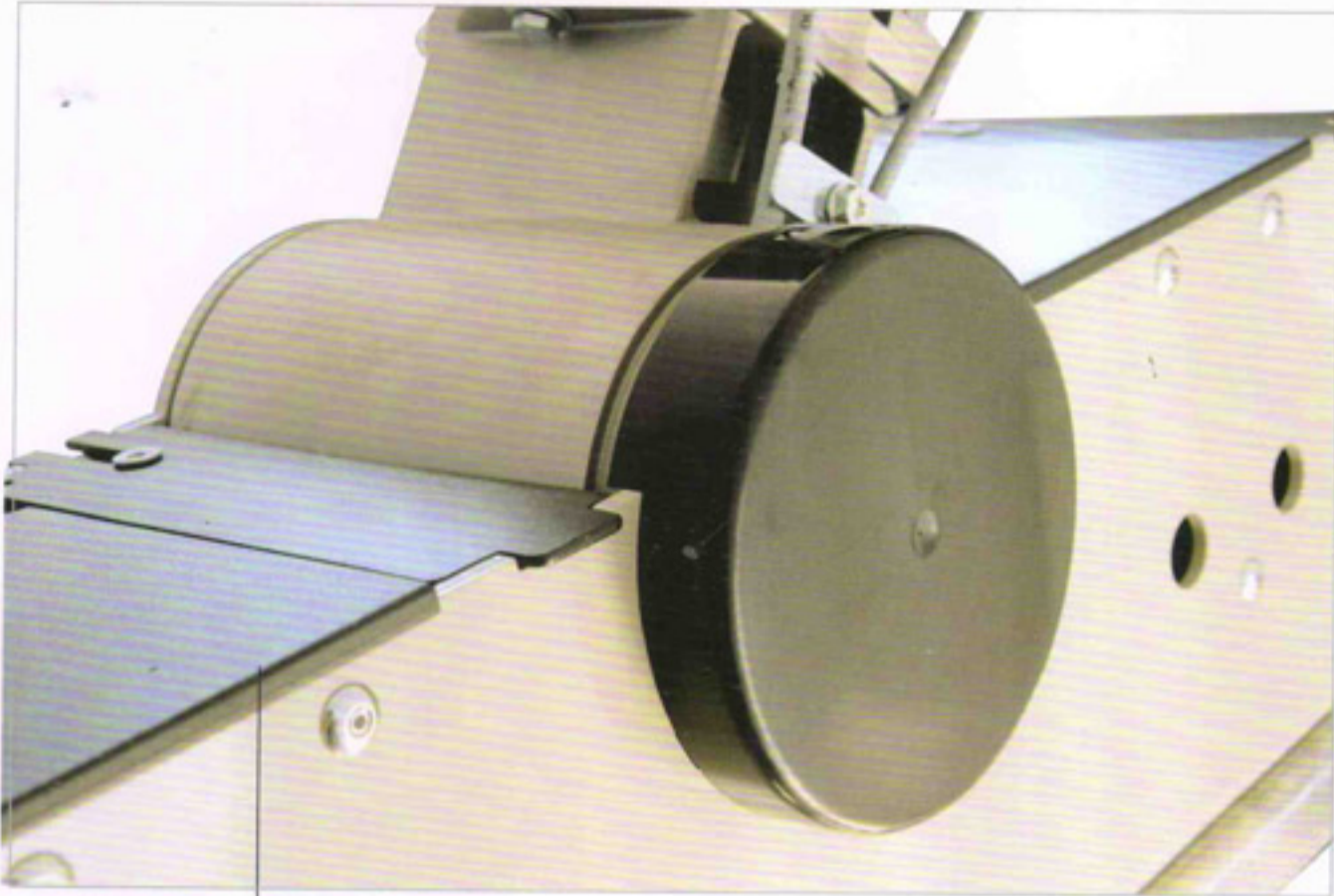
Pos.	Description
5301	Holder support roller
5302	Support roller

Swivel arm





Pos.	Description
5401	Stop,back side
5402	Stop plate,front side
5403	Support
5404	Tension spring
5405	Measuring instrument Pesola
5406	Setting gauge
5407	Strain&release spring
5408	Threaded bolt M10 x 140
5409	Plastic axle
5410	Slide bolt
5411	Needle bearing 25/38/20
5412	Friction coating
5413	Friction segment cpl
5414	Shaft
5415	Ball bearing 6005-2Z 25/47
5416	Cap nut
5417	Adjusting screw M8 x 70

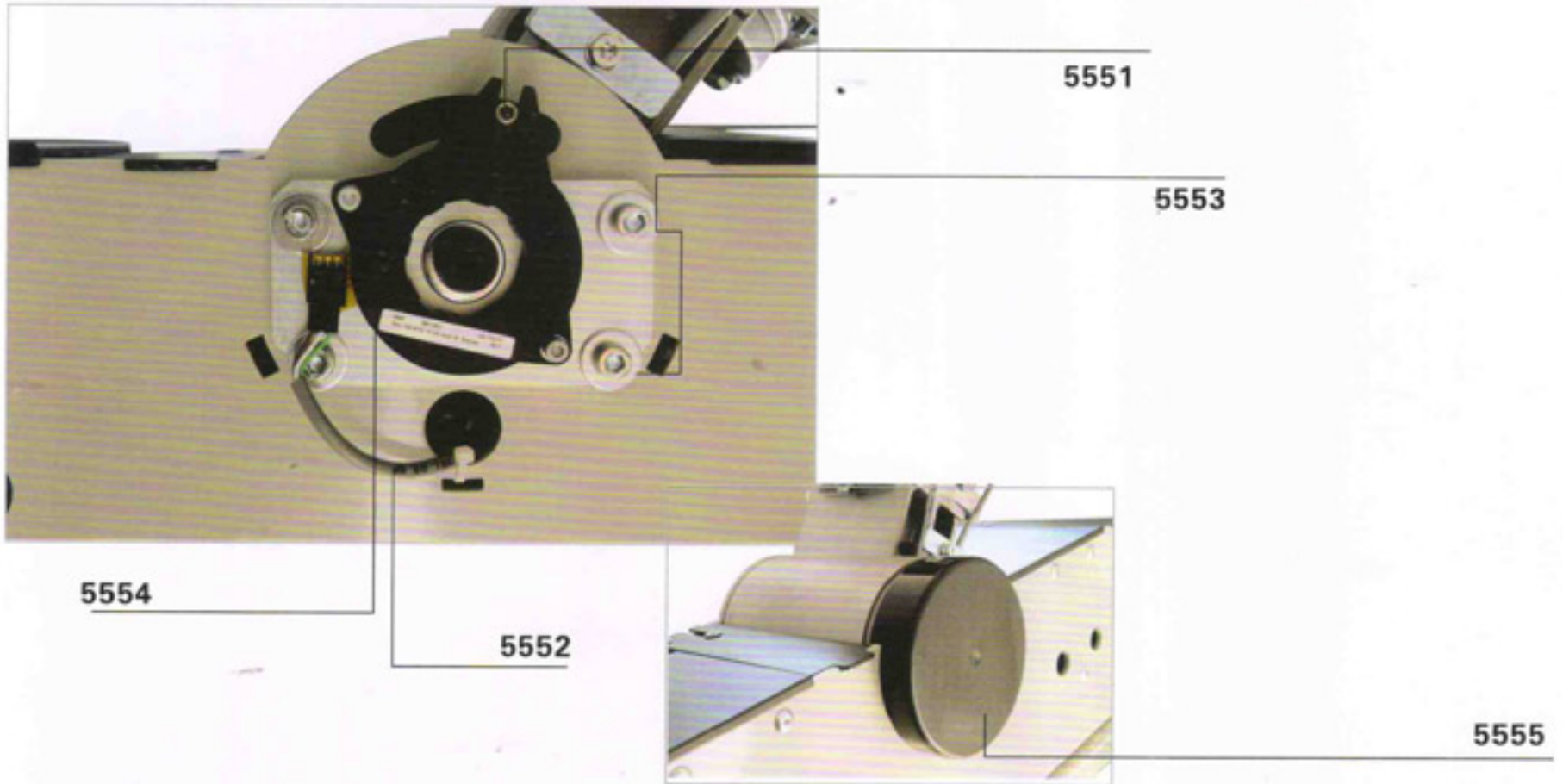


5418



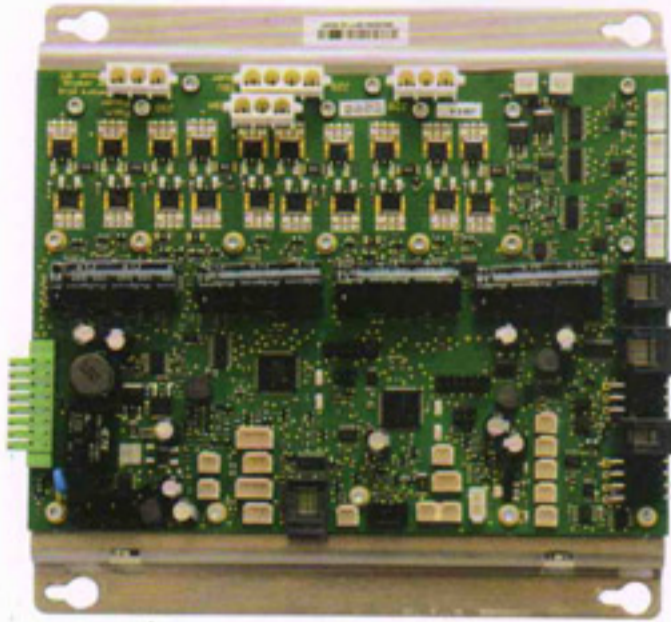
Pos.	Description
5418	Cover

Potentiometer

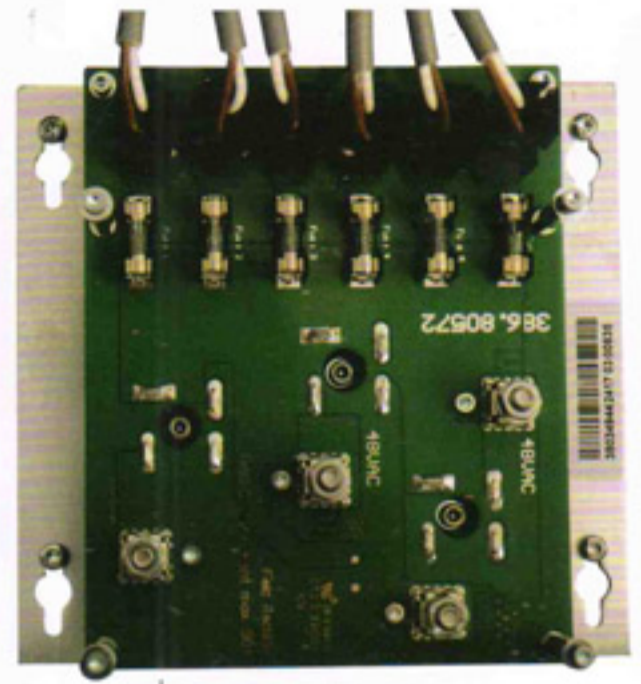


Pos.	Description
5551	Bolt/Potentiometer
5552	Cable/Potentiometer
5553	Adjusting plate/potentiometer
5554	Potentiometer cpl
5555	Cover

Electro parts



8001



8002



8003

Pos.	Description
8001	Spindle control board smartflex
8002	Supply 48/70V
8003	cable NO. <u>Wire</u>

Switch cabinet



8101

8102



8104



8105



8103

Pos.	Description
8101	Key for MT positions "Run/Enter/Config"
8102	Key for MT positions "Run/Enter"
8103	Display unit(MT8)
8104	Control unit(MT8)
8105	Key switch