



RING TRAVELLER SPECIALIST

Lakshmi Ring Traveller - LRT, a part of the LMW group, is India's pioneer Ring Traveller manufacturing company. From a trend setting start in 1974 to a current phenomenal increase in the market share of Ring Travellers - our progress stands testimony to the industry's confidence in us and our leadership in the highly sophisticated and accurate sphere.

Our strong R & D and a highly involved commitment to the industry empowers you with cutting edge products designed to improve your productivity and profit. LRT's product range of over 1500 different kinds of Travellers meets spinning requirements of any material or any count. LRT products are used in over 35 million spindles, in over 40 countries world wide.

PRODUCT RANGE

RING TRAVELLERS

SAPPHIRE PLUS



Special Diffusion Treated Traveller

- Quicker settling time for the traveller.
- Possibilities of going for higher speeds.
- Can be used for running-in.

MAXIMA



Special hardening process for better grain structure

- Excellent heat dissipation.
- Good surface finish helps for better gliding.
- Better wear resistance.

RUBY



Improved surface finish for optimum friction

- Reduced friction values.
- Less burnout helps less wear.
- Smoother surface finish helps for excellent gliding property.

PLATINA



Special process for achieving best micro structure

- Excellent gliding properties.
- Longer life.
- Best wear resistance.
- Consistent performance during the lifetime.

EXPRESS PLUS



Unique surface texture with fine grain size

- Quick settling.
- Better lubrication property.
- Less heat generation.
- Excellent life.

APPLICATION TOOLS

LRT QUICKFIX



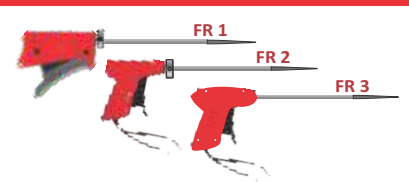
Traveller Inserting Tool

LRT EXTRACT



Traveller Removing Tool

LRT FLUFF REMOVER



Available in 200,300,400 & 500 mm Lengths

LRT ELECTRO CLEAN



Battery operated Fluff Remover
Available in 150 & 300 mm Lengths

LRT STROBOSCOPE































































Up to 50,000 flashes/min

LOW CROWN / NORMAL RING PROFILE

CR/ANTIWEDGE RING PROFILE

FLANGE 1

		U1 CL	Compact Spinning	U1 CL		
		U1 EL	Compact Spinning	U1 EL		
		U1 FL	Compact Spinning	U1 FL		
		U1 LEL	Compact Spinning	U1 LEL		
		L1	51s Ne & Finer	EL1		
		U1 UL	51s Ne & Finer	U1 UL		
		U1 ML	20s - 50s Ne	U1 ML		
		U1 UM	20s - 50s Ne	U1 UM		
		M1	20s - 50s Ne	EM1		
		U1 US	20s - 50s Ne	U1 US		
		U1 HM	12s - 50s Ne	U1 HM		
		P1	24s Ne & Coarser	EP1		
		U1 C1	24s Ne & Coarser	U1 C1		
		U1 CS	12s Ne & Coarser	U1 CS		
		C1 SH	30s Ne & Coarser	C1 SH		


FLANGE 2

			51s Ne & Finer	EL2		
		U2 UM	20s - 50s Ne	U2 UM		
		M2	20s - 50s Ne	EM2		
		H2	20s Ne & Coarser	EH2		
		P2	20s Ne & Coarser	EP2		
		U2 CS	20s Ne & Coarser	U2 CS		
		C2	20s Ne & Coarser	C2		

 UDR (HWO) for Cotton, Synthetic fibres and blends

 HO (DR) for Synthetic fibres and blends

 C2 Traveller are supplied in only flat cross section

 FR for Acrylic and blends (H2, EH2 & C1SH type Travellers are available in FR)

RING TRAVELLER RECOMMENDATIONS

TRAVELLER SELECTION FOR COTTON

Count NE	Traveller Number	FLANGE 1		FLANGE 2	
		Normal	CR/ AW	Normal	CR/ AW
8	10 - 14	U1 CS/P1/U1 UM/U1 US	U1 CS/EP1/U1 UM/U1 US	*C2/H2/P2	*C2/EH2/EP2
12	6 - 9	U1 C1/P1/U1 HM/U1 UM/U1 US	U1 C1/EP1/U1 HM/U1 UM/U1 US	*C2/H2/P2	*C2/EH2/EP2
18	2 - 6	U1 C1/P1/U1 HM/U1 UM/U1 US	U1 C1/EP1/U1 HM/U1 UM/U1 US	*C2/H2/P2	*C2/EH2/EP2
20	2/0 - 3	M1/P1/U1 UM/U1 C1/U1 US/U1 HM	EM1/EP1/U1 UM/U1 C1/U1 US/U1 HM	H2/P2/U2 UM	EH2/EP2/U2 UM
24	3/0 - 2	M1/P1/U1 UM/U1 C1/U1 US/U1 HM	EM1/EP1/U1 UM/U1 C1/U1 US/U1 HM	M2/H2/U2 UM	EM2/EH2/U2 UM
30	5/0 - 1/0	M1/U1 UM/U1 ML/U1 US/U1 HM	EM1/U1 UM/U1 ML/U1 US/U1 HM	M2/U2 UM	EM2/U2 UM
34	6/0 - 2/0	M1/U1 UM/U1 ML/U1 US/U1 HM	EM1/U1 UM/U1 ML/U1 US/U1 HM	M2	EM2/EL2
40	9/0 - 5/0	M1/U1 UM/U1 ML/U1 US/U1 HM/U1 UL	EM1/U1 UM/U1 ML/U1 US/U1 HM/U1 UL/EL1	M2	EM2/EL2
45	11/0 - 8/0	M1/U1 UM/U1 ML/U1 US/U1 HM/U1 UL	EM1/U1 UM/U1 ML/U1 US/U1 HM/U1 UL/EL1	-	-
55	13/0 - 9/0	M1/U1 UM/U1 ML/U1 US/U1 UL	EM1/U1 UM/U1 ML/U1 US/U1 UL/EL1	-	-
60	14/0 - 10/0	L1/U1 UL	EL1/U1 UL	-	-
70	16/0 - 12/0	L1/U1 UL	EL1/U1 UL	-	-
80	18/0 - 14/0	L1/U1 UL	EL1/U1 UL	-	-
90	20/0 - 16/0	L1/U1 UL	EL1/U1 UL	-	-
100	22/0 - 18/0	L1/U1 UL	EL1/U1 UL	-	-
120	26/0 - 22/0	L1/U1 UL	EL1/U1 UL	-	-

TRAVELLER SELECTION FOR SYNTHETICS

Count NE	Traveller Number	FLANGE 1		FLANGE 2	
		Normal	CR/ AW	Normal	CR/ AW
8	12 - 16	U1 CS/P1/U1 UM/U1 US	U1 CS/EP1/U1 UM/U1 US	*C2/H2/P2	*C2/EH2/EP2
12	8 - 11	U1 C1/EP1/U1 HM/U1 UM/U1 US	U1 C1/EP1/U1 HM/U1 UM/U1 US	*C2/H2/P2	*C2/EH2/EP2
18	5 - 8	M1/P1/U1 UM/U1 C1/U1 US/U1 HM	EM1/EP1/U1 UM/U1 C1/U1 US/U1 HM	*C2/H2/P2	*C2/EH2/EP2
20	4 - 7	M1/P1/U1 UM/U1 C1/U1 US/U1 HM	EM1/EP1/U1 UM/U1 C1/U1 US/U1 HM	H2/P2/U2 UM	EH2/EP2/U2 UM
24	1 - 4	M1/P1/U1 UM/U1 C1/U1 US/U1 HM	EM1/EP1/U1 UM/U1 C1/U1 US/U1 HM	M2/H2/U2 UM	EM2/EH2/U2 UM
30	2/0 - 2	M1/U1 UM/U1 ML/U1 C1/U1 US/U1 HM	EM1/U1 UM/U1 ML/U1 C1/U1 US/U1 HM	M2/U2 UM	EM2/U2 UM
34	3/0 - 1	M1/U1 UM/U1 ML/U1 US/U1 HM	EM1/U1 UM/U1 ML/U1 US/U1 HM	M2	EM2
40	7/0 - 3/0	M1/U1 UM/U1 ML/U1 US/U1 HM/U1 UL	EM1/U1 UM/U1 ML/U1 US/U1 HM/U1 UL	M2	EM2
45	9/0 - 6/0	M1/U1 UM/U1 ML/U1 US/U1 HM/U1 UL	EM1/U1 UM/U1 ML/U1 US/U1 HM/U1 UL	M2	EM2
55	11/0 - 7/0	M1/U1 UM/U1 ML/U1 US/U1 HM/U1 UL	EM1/U1 UM/U1 ML/U1 US/U1 HM/U1 UL	-	-
60	12/0 - 8/0	M1/U1 UM/U1 ML/U1 UL	EL1/U1 UM/U1 ML/U1 UL	-	-
70	14/0 - 10/0	L1/U1 UL/U1 ML	EL1/U1 UL/U1 ML/U1 UL	-	-
80	16/0 - 12/0	L1/U1 UL	EL1/U1 UL	-	-

*HO(DR) for Synthetic fibres and blends. *UDR(HWO) for Cotton, Synthetic and blends

*C2 Traveller are supplied in only flat cross section

You may select the Traveller number/ type as per your mill conditions. For assistance, please contact LRT

NOTE : Guidelines for Traveller selection are specified based on our experience



LAKSHMI RING TRAVELLERS (COIMBATORE) LIMITED

Sulur Railway Feeder Road, Kurumbapalayam, Muthugoundenpudur, Coimbatore - 641 406, India

Tel : +91 (422) 2205000 Fax : +91 (422) 2205010 E- mail : sales@lrt.co.in, exports@lrt.co.in

Website : www.lrt.co.in/rt CIN : U17111TZ1974PLC000712 GST : 33AAAC13736F1ZV