



**J-SHAPED VERTICAL
RING TRAVELLERS**

J-SHAPED VERTICAL RING TRAVELLER

Vertical Travellers are being used to spin acrylics, worsted, woollen, and heavy doubling on vertical rings.

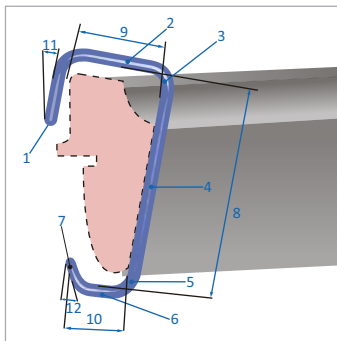
Presently two types of vertical rings are available.

1. Conical Rings
2. Vertical Rings

Based on the ring profile and ring height the traveller will be selected.

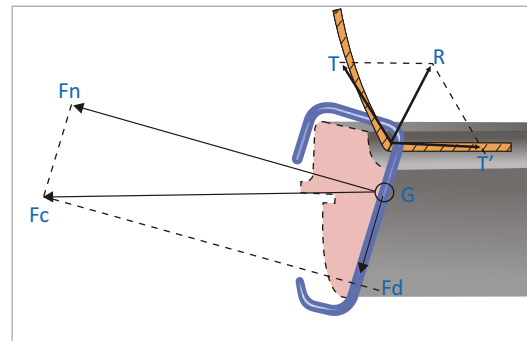
LRT is supplying Ring Travellers for the ring heights of 9.1 mm and 11.1mm

PARTS OF J-SHAPED RINGS & TRAVELLERS



- | | |
|--------------------------|-----------------|
| 1. NOSE | 7. TOE |
| 2. HEAD | 8. INNER HEIGHT |
| 3. POSITION OF YARN PATH | 9. HEAD WIDTH |
| 4. BACK | 10. FOOT WIDTH |
| 5. HEEL | 11. NOSE ANGLE |
| 6. FOOT | 12. TOE ANGLE |

FORCES ON RINGS J-SHAPED TRAVELLER











- G** - Traveller center of gravity
- TT'** - Yarn Tension
- R** - Resultant of the Yarn Tension
- Fc** - Centrifugal force acting on the traveller (Resultant of $F_n + F_d$)
- F_n** - Normal Force, which presses the Traveller against the raceway
- F_d** - Reacting Force, which pulls the traveller downwards


TRAVELLER CONTACT AND ITS IMPACT ON TRAVELLER WEAR OUT

Worn-out Position	Traveller Weight	Suggestions
Wear in head and back	Correct	
Wear only on head	Traveller too heavy	Use Light Traveller
Wear only on toe	Traveller too light	Use Heavier Traveller

J-SHAPED TRAVELLER FOR CONICAL RINGS

Ring Height in mm (inch)	Type		Traveller Back	Recommended Ring raceway	Application Range
9.1 (23/64")	J 9.1 Standard		Straight	Convex	Fine and Medium Worsted Yarns
	J 9.1 CST		Straight	Convex	Especially for fine Worsted Yarns
11.1 (7/16")	J 11.1 Standard		Straight	Convex	Fine and Medium Worsted Yarns
	J 11.1 B		Convex	Straight	Coarse Worsted Yarns
	J 11.1 CST		Straight	Convex	Fine and Medium Worsted Yarns
	J 11.1 CST B		Convex	Straight	Fine and Medium Worsted Yarns
	J 11.1 KST		Straight	Convex	Coarse Worsted Yarns
17.4 (11/16")	J 17.4		Convex	Straight	Coarse Worsted and Semi-worsted Yarns

HZ TYPE TRAVELLER FOR VERTICAL RINGS

Ring Height in mm (inch)	Type		Application Range
10.3 (13/32")	HZ 10.3 RST		Sewing threads worsted yarns and man-made fibres
16.7 (21/32")	HZ 16.7 CST BS		Woollen yarns

All J Shaped / HZ Type Travellers are only in round cross section

WEIGHT CHART OF J-SHAPED RING TRAVELLERS

ISO No.	Lakshmi / Bracker	R + F	Carter	Kanai
16	560	560	-	300
17	450	450	450	270
18	355	355	355	240
19	250	250	250	210
20	180	180	170	180
21	160	150	140	150
22	125	132	125	135
23	112	112	118	120
24	90	90	95	105
25	71	75	75	90
26	63	60	63	75
27	50	50	50	68
28	40	40	40	61
29	31.5	33.5	33	54
30	28	30	28	47
31	25	26.5	25	40
32	23.6	23.6		36
33	22.4	22.4		32
34	21.2	21.2		28
35	20	20		24
36	18	18		20

TRAVELLER RECOMMENDATION J-SHAPED TRAVELLERS

Nm	Ne (worsted)	Traveller Wt.	Lakshmi No.
14	28	355	18
16	32	250	19
18	36	180	20
20	40	160	21
22	44	125	22
26	52	112	23
32	63	90	24
36	71	71	25
40	79	63	26
48	95	50	27
56	111	40	28
60	119	31.5	29
64	127	28	30
72	143	25	31

Traveller Weight for 1000 pcs